

# **Instruction manual for Evaluation Board of TB62261FTAG**

May 16, 2016

Re v.1.0

## 【Outline】

The TB62261 is a two-phase bipolar stepping motor driver using a PWM chopper. PHASE control system and BiCD process are adopted. Rating of 40V and 1.5A is realized.

This evaluation board mounts necessary components to evaluate the IC. Each excitation drive of full step, half step and quarter step can be run with PWM constant current drive. Please sense low noise and low vibration of the stepping motor.

## 【Note】

In using, please be careful about thermal condition sufficiently.

As for each control signal, please refer to the IC specification by accessing to the below URL.

<http://toshiba.semicon-storage.com/info/lookup.jsp?pid=TB62261FTAG&region=apc&lang=en>

Further, the application of this evaluation board is limited to the purpose of evaluating and learning the motor control. Please do not ship them to a market.

# Connection to Evaluation board

## Corresponding table

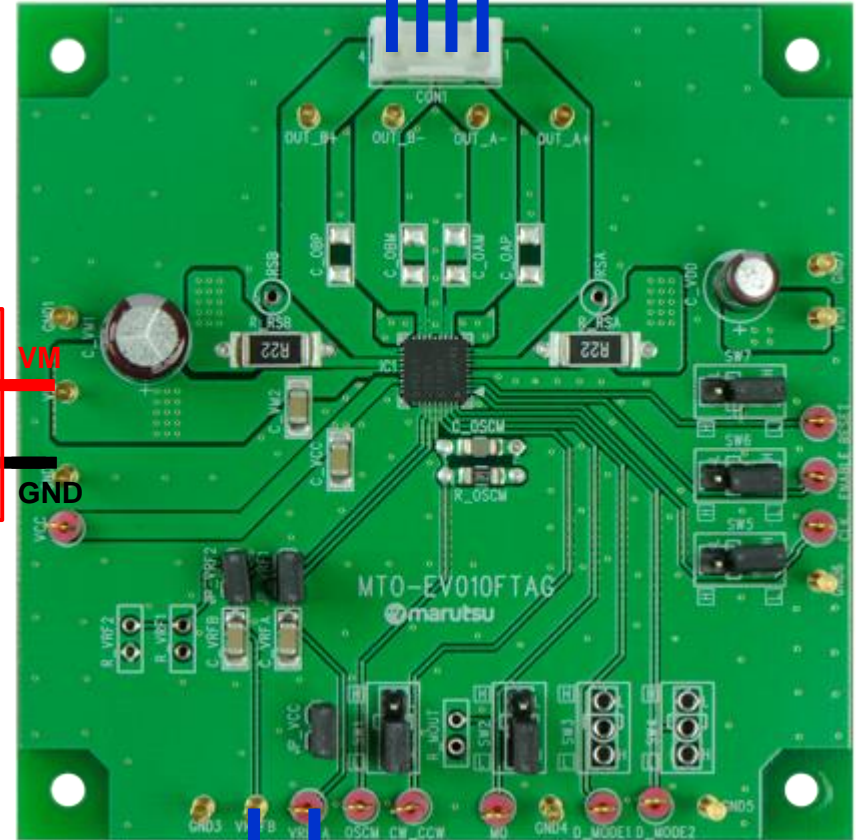
### (Silk name vs. Signal name)

(Note) Silk name and signal name on the board are different because the series products have the common board.

Silk name	Signal name
CLK	INB_1
ENABLE	INB_2
RESET	STANDBY
CW/CCW	INA1
MO	INA2
DMODE_1	PHASEA
DMODE_2	PHASEB

Two-phase bipolar  
type  
Stepping motor

Power  
source of  
VM  
(10V to 47V)



VrefB(for B-axis)      VrefA(for A-axis)

Reference voltage for  
motor current set  
Vref (0V to 3.6V)



# Setting evaluation board2

## Setting chopping frequency of the constant current of the motor

### Formula of setting chopping frequency

$$f_{OSCM} = 1 / [0.56 \times \{C \times (R1 + 500)\}]$$
$$f_{chop} = f_{OSCM} / 16$$

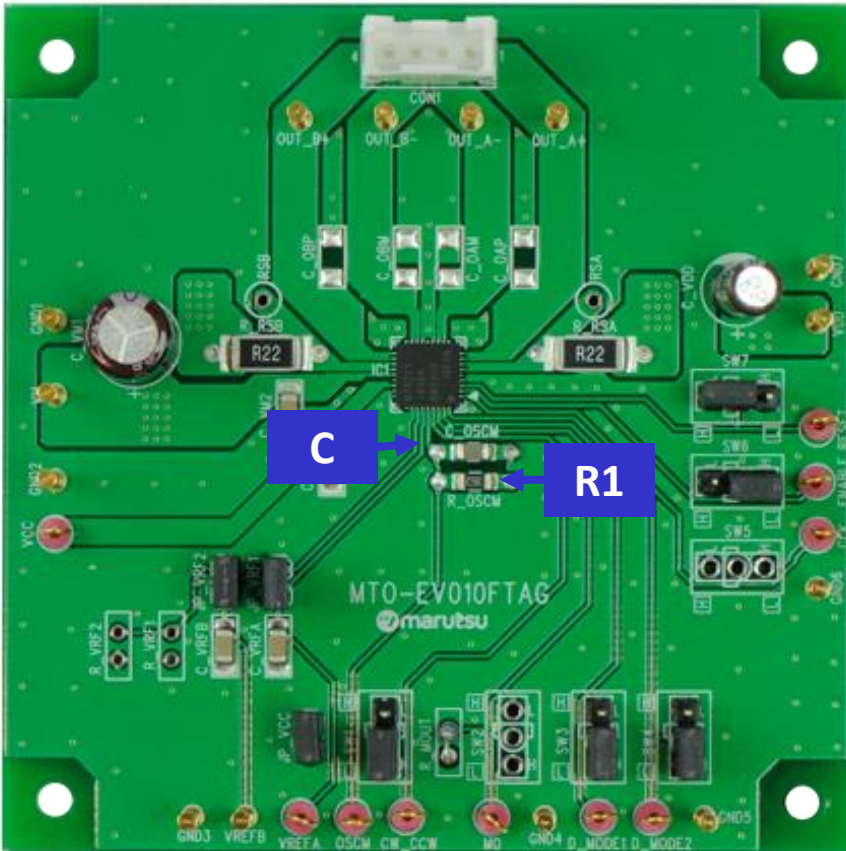
Recommended frequency range:

f<sub>chop</sub>=40kHz to 150kHz

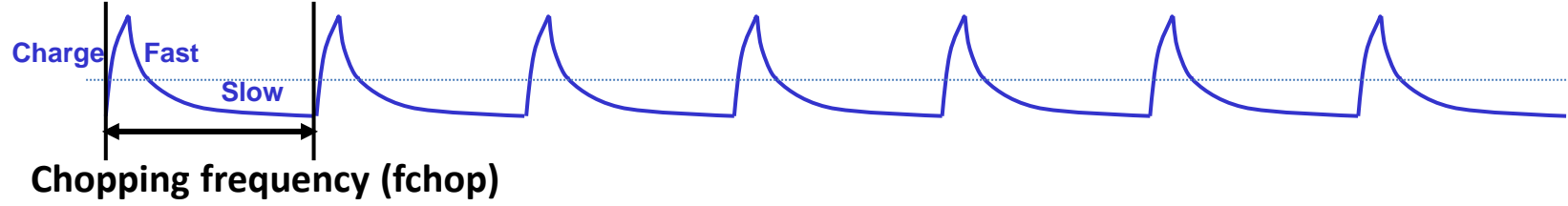
100kHz configuration

Mounted parts are as follows;

Capacitor (C=270pF), Resistance (R1=3.6kΩ)

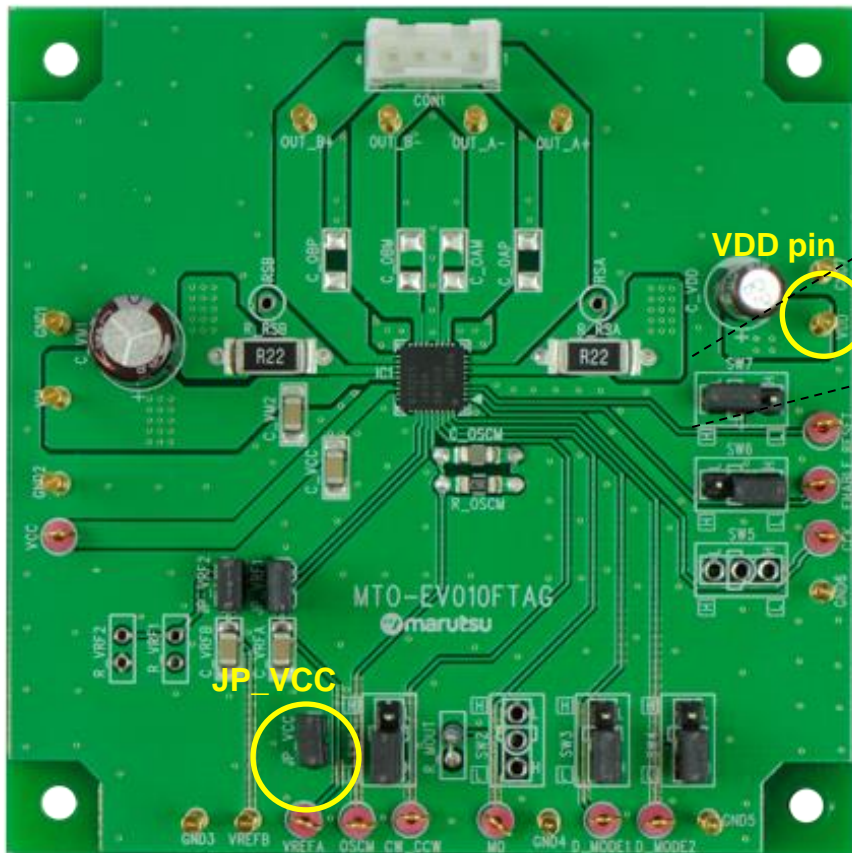


### Waveform of motor current



# Setting evaluation board3

## Setting motor operation



【Enhanced figure of jumper part】



Jumper indicated above is adopted on this evaluation board to set operation of the TB62261FTAG.

To select the function by the jumper, short-circuit JP\_VCC or supply the voltage of high level by VDD pin.

In above, fixed level of the silk near the jumper is indicated inside the white frame. Please change the short position according to the configuration of the usage function.

In case of inputting the signal externally, please remove the short pin.

