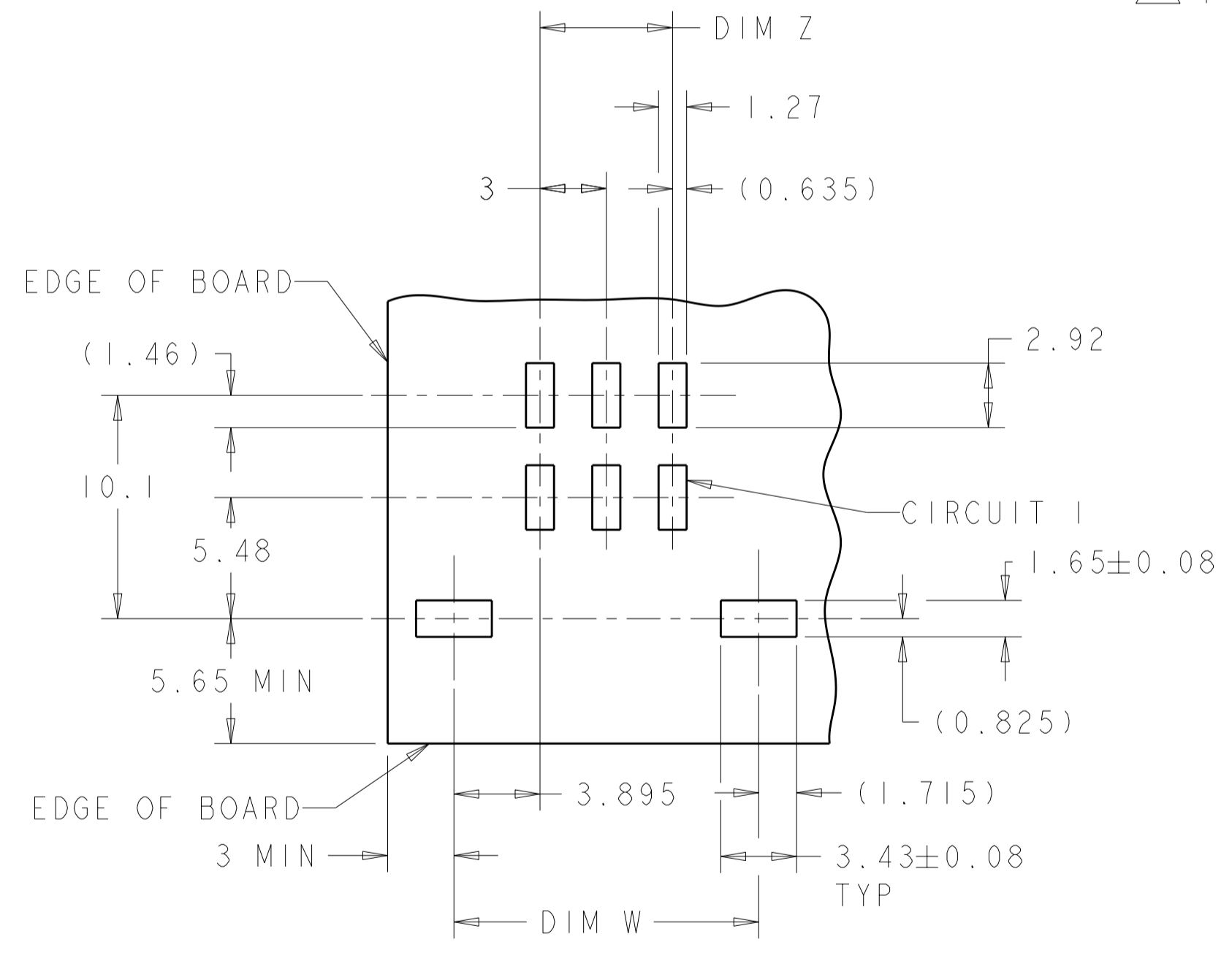
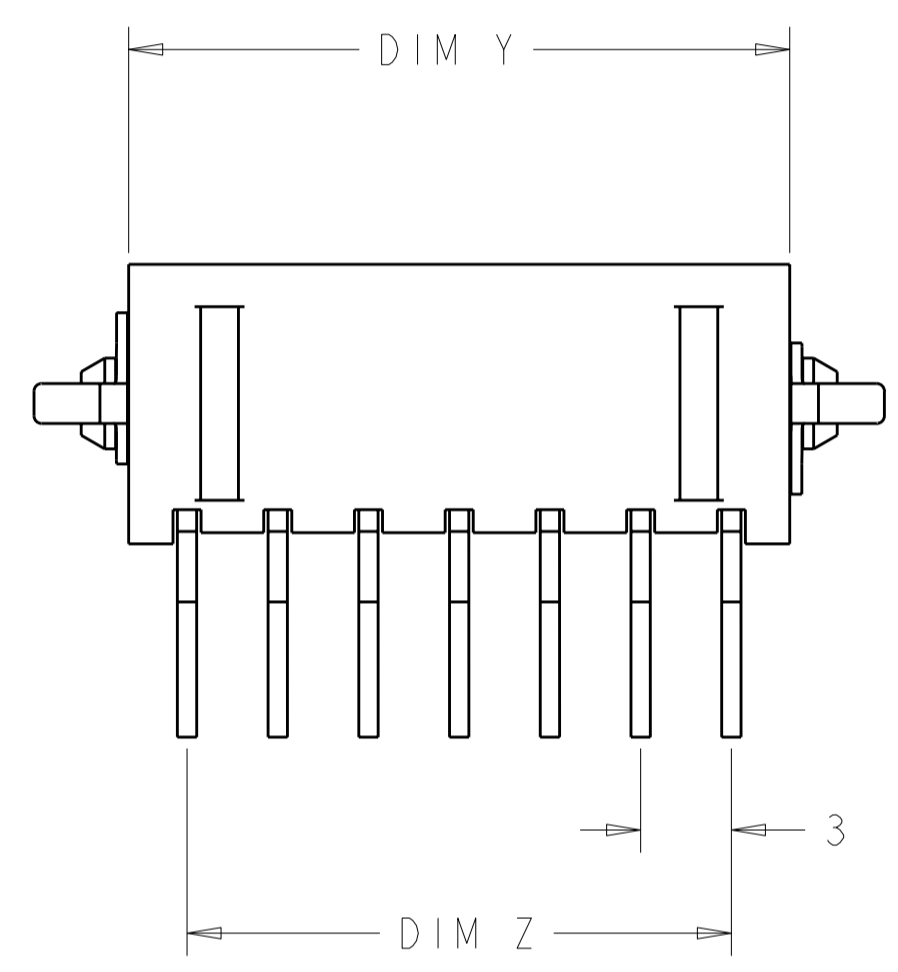
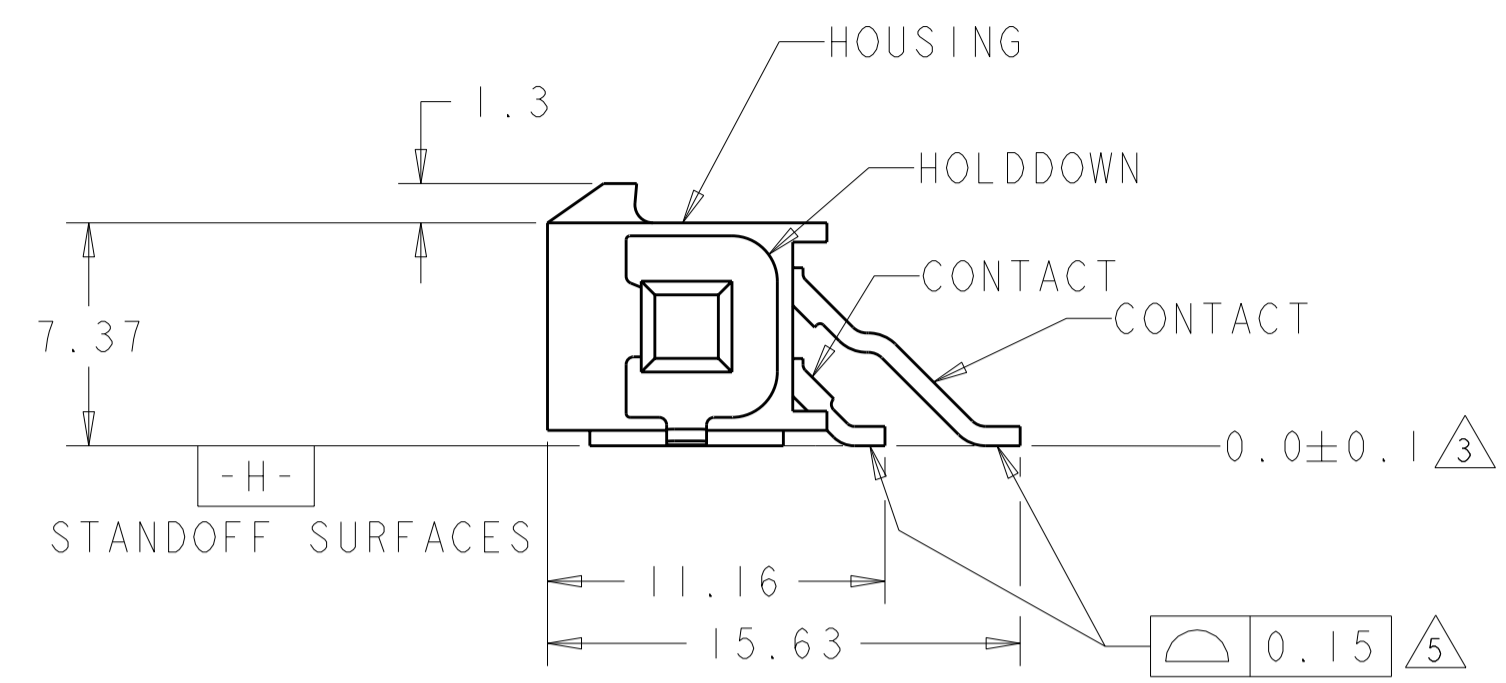
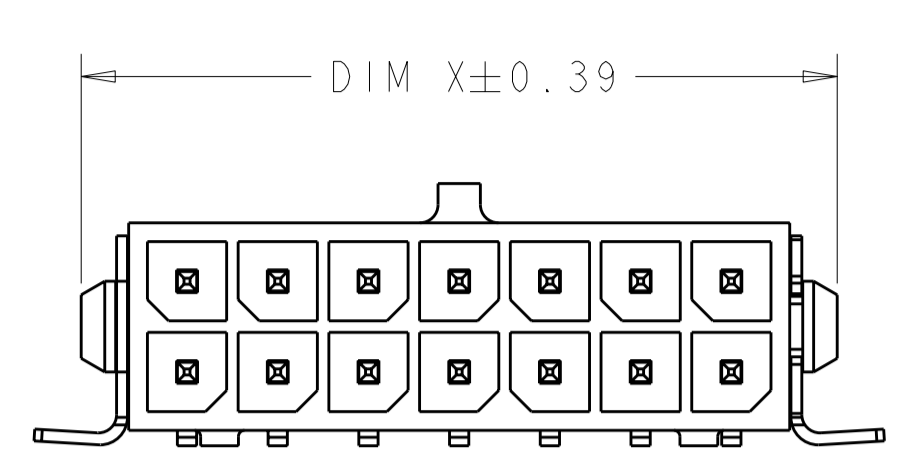


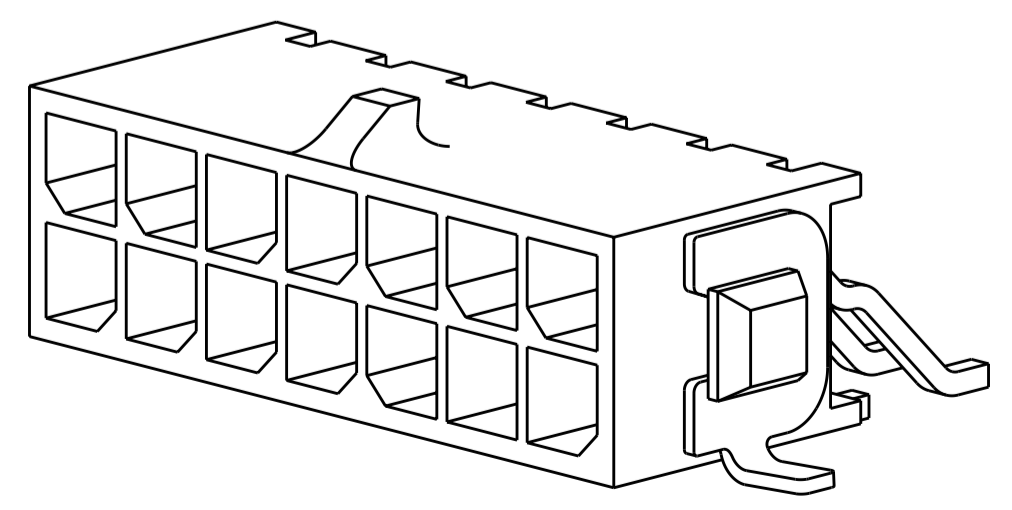
THIS DRAWING IS UNPUBLISHED. RELEASED FOR PUBLICATION 20  
 © COPYRIGHT 20 BY - ALL RIGHTS RESERVED.

LOC	DIST	REVISIONS					
CM	00	P	LTR	DESCRIPTION	DATE	DWN	APVD
			HI	REVISED PER ECO-11-004587	11MAR2011	RK	HMR



- ① MATERIAL;  
 CONTACTS - BRASS.  
 HOUSING - UL 94V-0 RATED HIGH TEMP NYLON,  
 COLOR; BLACK.  
 HOLD DOWNS - PHOSPHOR BRONZE.
- ② FINISH;  
 CONTACTS - 2.54µm MINIMUM TIN-LEAD OVER 1.27µm  
 MINIMUM NICKEL.  
 HOLD DOWNS - 2.54µm TIN-LEAD.
- ③ DIMENSION APPLIES TO SOLDERTAIL SURFACES  
 AND STANDOFF SURFACES.
- ④ RECOMMENDED PC BOARD THICKNESS OF 1.57.
- ⑤ ALL SOLDERTAILS AND HOLD DOWNS.
- ⑥ FINISH;  
 CONTACTS - 2.54µm MINIMUM MATTE TIN OVER 1.27µm  
 MINIMUM NICKEL.  
 HOLD DOWNS - 2.54µm MINIMUM MATTE TIN.

⑥	36.86	40.79	33.00	40.00	24	5-794627-4
	33.86	37.79	30.00	37.00	22	5-794627-2
	30.86	34.79	27.00	34.00	20	5-794627-0
	27.86	31.79	24.00	31.00	18	4-794627-8
	24.86	28.79	21.00	28.00	16	4-794627-6
	21.86	25.79	18.00	25.00	14	4-794627-4
	18.86	22.79	15.00	22.00	12	4-794627-2
	15.86	19.79	12.00	19.00	10	4-794627-0
	12.86	16.79	9.00	16.00	8	3-794627-8
	9.86	13.79	6.00	13.00	6	3-794627-6
②	6.86	10.79	3.00	10.00	4	3-794627-4
	3.86	7.79	-	7.00	2	3-794627-2
	36.86	40.79	33.00	40.00	24	2-794627-4
	33.86	37.79	30.00	37.00	22	2-794627-2
	30.86	34.79	27.00	34.00	20	2-794627-0
	27.86	31.79	24.00	31.00	18	1-794627-8
	24.86	28.79	21.00	28.00	16	1-794627-6
	21.86	25.79	18.00	25.00	14	1-794627-4
	18.86	22.79	15.00	22.00	12	1-794627-2
	15.86	19.79	12.00	19.00	10	1-794627-0
12.86	16.79	9.00	16.00	8	794627-8	
9.86	13.79	6.00	13.00	6	794627-6	
6.86	10.79	3.00	10.00	4	794627-4	
3.86	7.79	-	7.00	2	794627-2	
FINISH	DIM Y	DIM W	DIM Z	DIM X	NO. OF POSN.	ASSEMBLY



SCALE 5:1

RECOMMENDED PCB LAYOUT ④  
 (COMPONENT SIDE)



THIS DRAWING IS A CONTROLLED DOCUMENT.

DWN S. HOOVER 23-MAR-2005  
 CHK C. JONES 23-MAR-2005  
 APVD C. JONES 23-MAR-2005

TE Connectivity

NAME SURFACE MOUNT, RIGHT ANGLE, SURFACE MOUNT HOLD DOWN, ASSEMBLY, TIN HEADER, DUAL ROW, MICRO MATE-N-LOK (TM)

SIZE A2 CAGE CODE 00779 DRAWING NO. 794627

RESTRICTED TO

SCALE 4:1 SHEET 1 OF 1 REV. HI

SEE TABLE

CUSTOMER DRAWING