



# SSF25 Series

## 1/2" BSP internal fitting switch with M12 plug



- Internal fitting via 1/2" BSP thread
- Stainless steel 316
- Miniature design
- Temperature up to 120°C
- User configurable N/O (make on rise) or N/C (make on fall)

### Technical Specification

Mounting style	Internal	Connection	4 pin M12 plug
Mounting thread	1/2" BSP	Cable size	N/A
Float & Stem material	316 grade SS	Cable conductor material	N/A
Maximum Temperature	120°C	Cable sheath material	N/A
Maximum pressure	10 bar	Cable temperature rating	N/A
Float SG	0.7	Sealing gasket	Nitrile
Minimum fluid SG	0.8	Tightening torque for fixing nut	2.0 kg/cm

### Electrical Specification

Contact Form		N/O (N/C)
Switching Power Max	VA	50
Switching Voltage AC Max	V	300
Switching Voltage DC Max	V	300
Switching Current Max	A	0.5

All ratings are for resistive load only.

The SSF25 series is a compact vertical internally mounted device. Mounting is in the top or bottom of the tank from the inside, so requires access to the inside of the tank.

This version has a M12 connector for rapid connection to system.

These are manufactured in 316 grade Stainless steel.

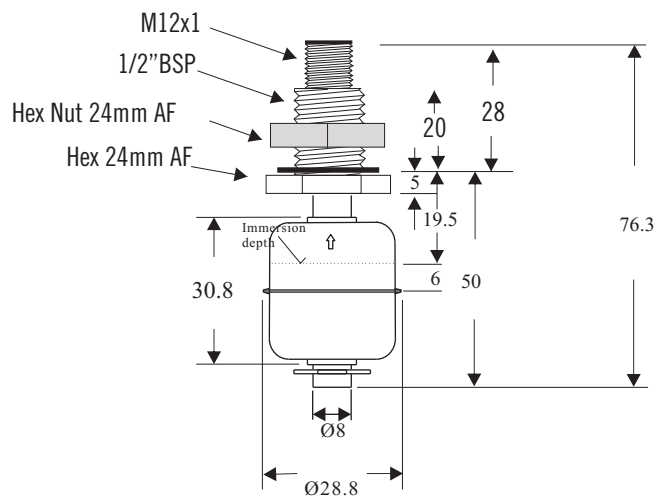
The switch action may be reversed by removing the float, inverting and then refitting it to the stem.

### Standard Parts

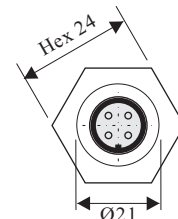
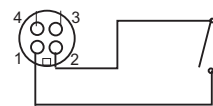
Standard Parts	Material	Max Power	Connection
SSF25XPM12	SS 316	50VA	M12 connector

Custom versions can be made for particular applications. Please contact Cynergy3 with your requirements.

### Mechanical Dimensions



### Plug connections



Cynergy3 Components Ltd.  
7 Cobham Road  
Ferndown Industrial Estate  
Wimborne, Dorset BH21 7PE  
Telephone +44 (0) 1202 897969

Email: sales@cynergy3.com

ISO9001 CERTIFIED

www.cynergy3.com