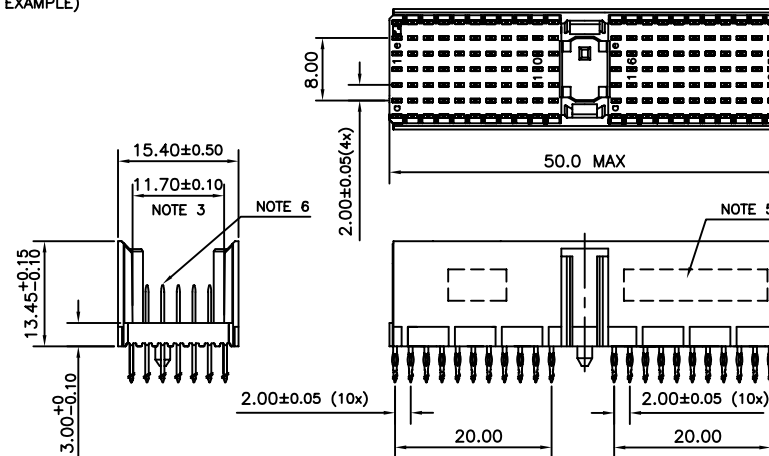


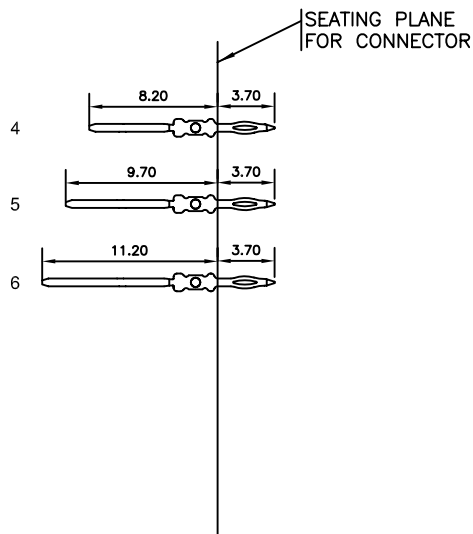
LOADING PATTERN MATING SIDE

f	0	0	0	0	0	0	0	0	0	0	0	0	0	0	0	0	0	0	0	0	0
e	5	5	4	4	4	4	4	4	4	4	4	4	4	4	4	4	4	4	4	4	4
d	5	5	4	6	4	6	4	6	4	6	4	6	4	4	4	4	4	4	4	4	4
c	5	5	4	4	4	4	4	4	4	4	4	4	4	4	6	4	4	4	4	4	4
b	5	5	4	5	4	5	4	5	4	5	4	5	4	5	4	5	4	5	4	5	4
a	5	5	4	4	4	4	4	4	4	4	4	4	4	4	4	4	4	4	4	4	4
z	0	0	0	0	0	0	0	0	0	0	0	0	0	0	0	0	0	0	0	0	0
P	0																				
S	1																				

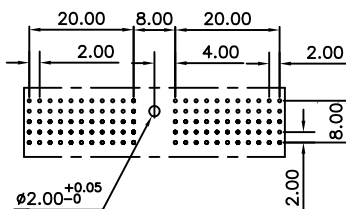
LOADED CONNECTOR ASSEMBLY (FOR EXAMPLE)



CONTACT OVERVIEW



LAY-OUT P.C.B.-HOLE



HM2P07PDP3A0-
LEAD FREE INDICATOR : LF = LEAD FREE (DIGIT 15 & 16)

PLATING CODE (DIGIT 13 AND 14) (REF DRW NO. BS,C , 201844 , 003)

NOTES

- THIS PRODUCT IS CSA APPROVED.
 - THIS PRODUCT IS UL RECOGNIZED.
 - MEASURED AT THE BOTTOM.
 - MATERIAL CONTACT: PHOSPHORBRONZE
HOUSING: CREAM WHITE GLASS FILLED POLYESTER UL-94V0
 - CONNECTOR PRINTED WITH P/N AND DATE CODE.
 - FOR ACTUAL CONTACT LOADINGS, SEE LOADING PATTERN MATING SIDE.
 - SHAPE OF CONNECTOR HOUSING CAN ALTER DEPENDING ON PRODUCTION LOCATION
 - THE PRODUCT (LF) MEETS EUROPEAN UNION DIRECTIVES AND OTHER COUNTRY REGULATIONS AS DESCRIBED IN GS-22-008
 - FOR RECOMMENDED PTH DIMENSIONS REFER DRAWING : BS, A , 201572 , 001
- CATALOG NO: HM2P07PDP3A0----

mat'l. code		SEE NOTE 4		surface	ISO 1302	tolerance	ISO 406 ISO 1101	projection	product family	MILLIPACS
ltr	ecn no	dr	date	tolerances unless otherwise specified					title	
A	111-0181	AB	2011-11-07	angles	linear	.0±0.2		MM	MPACS 5+2R STR HDR PF CONN TYPE A	
				0°±1°		.00±0.1		scale	-	
		dr	ALEX BABU	2011-11-07						dwg no
		enr	ALEX BABU	2011-11-07						sheet 1 of 1
		chr	ALEX BABU	2011-11-07						size
		appd	BIJU K PAUL	2011-11-07						A3
sheet index		revision	A							type
		sheet	1							Product Customer Drawing