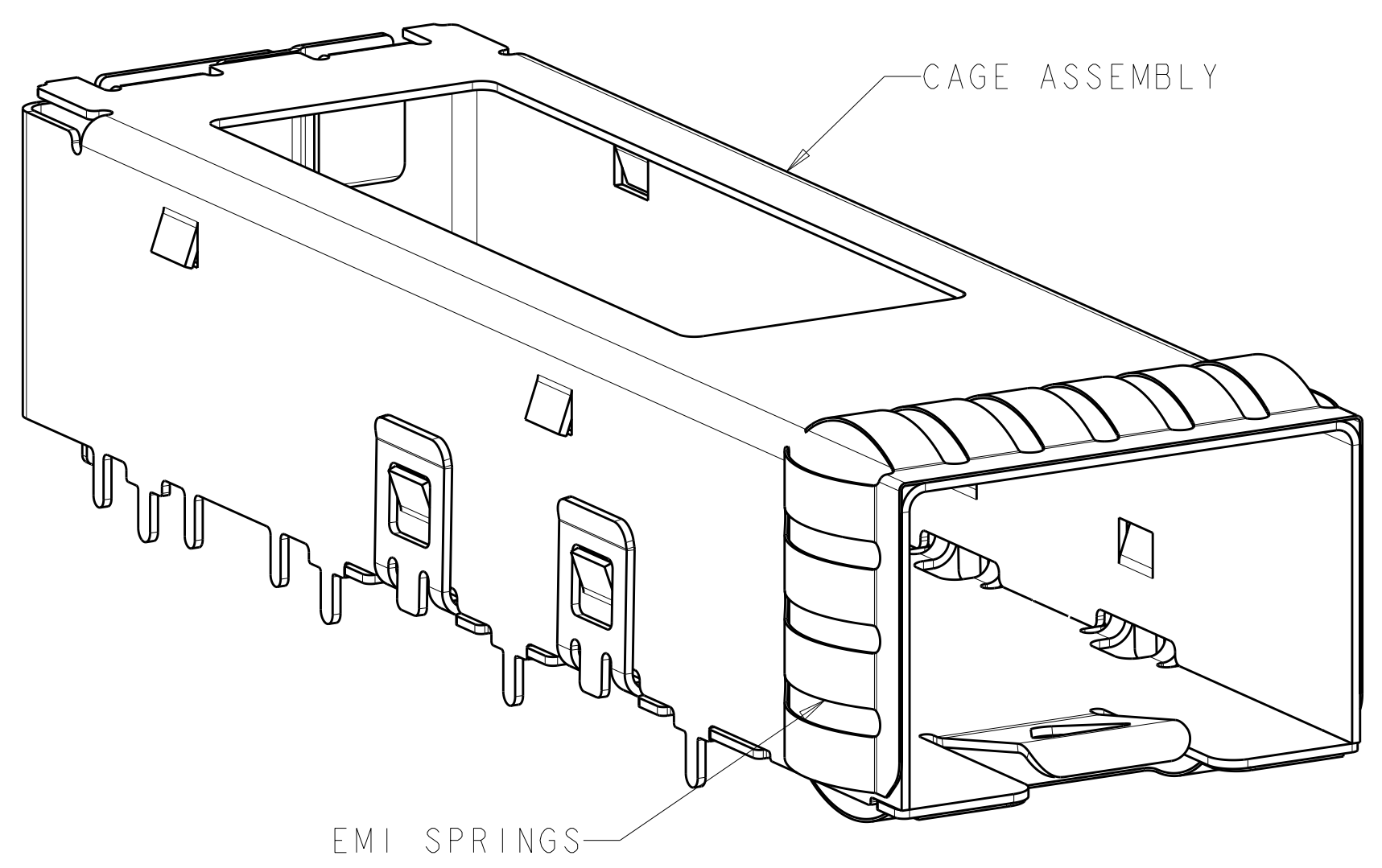
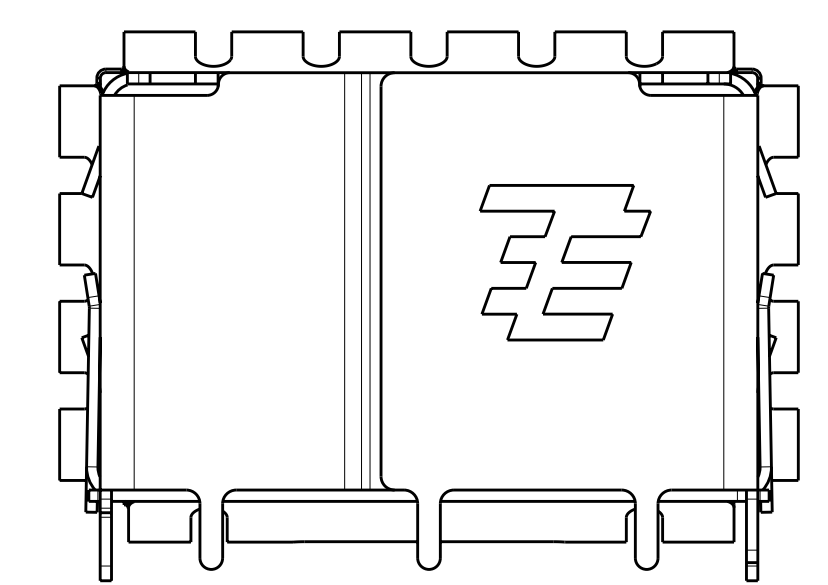
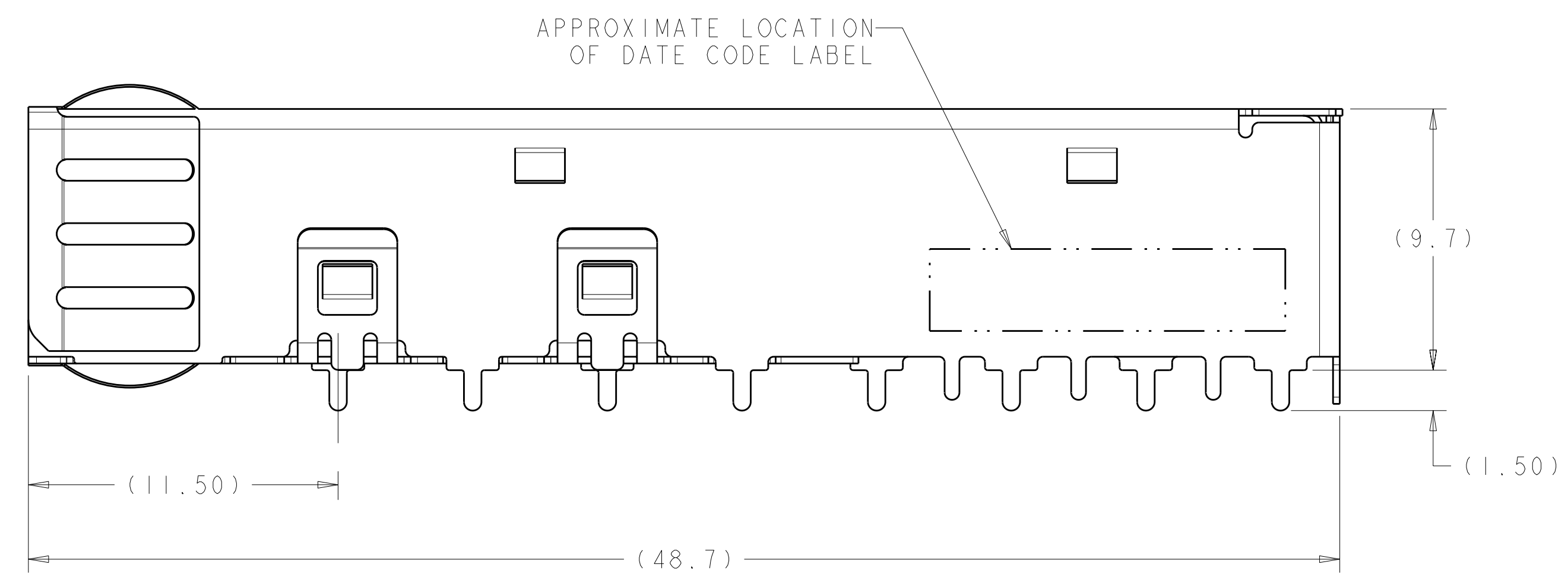
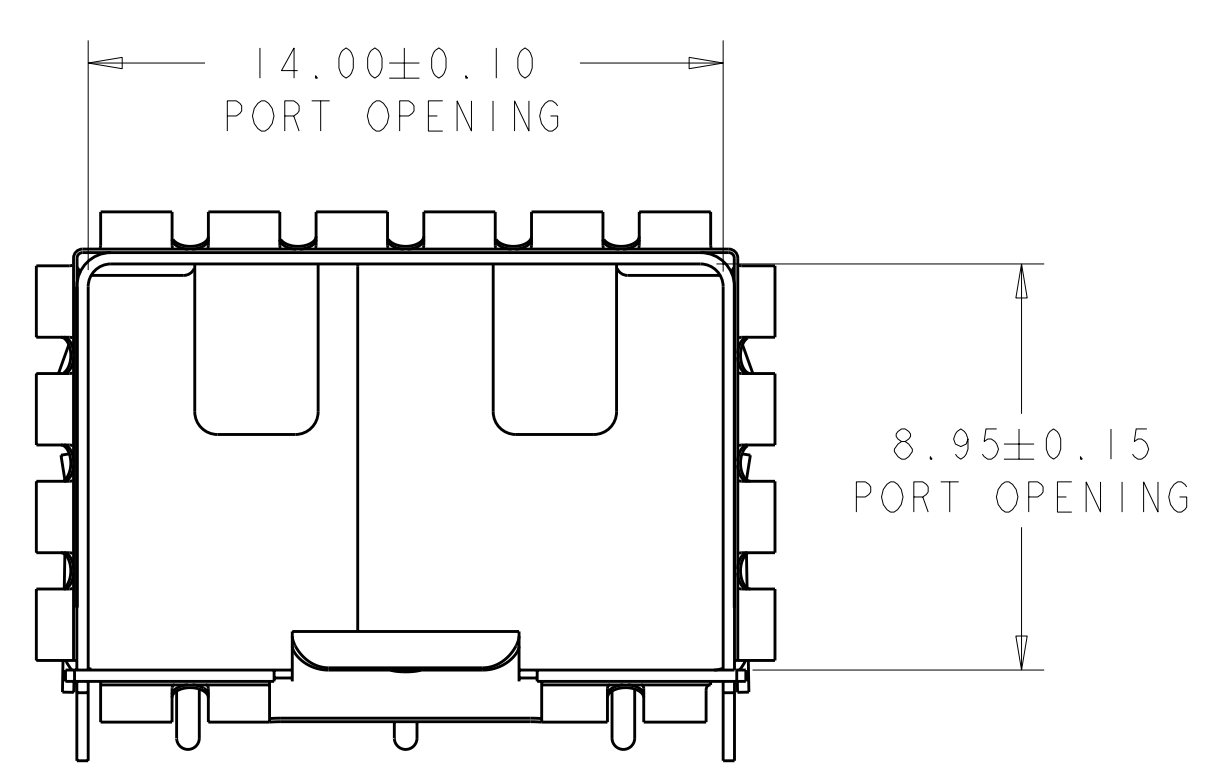
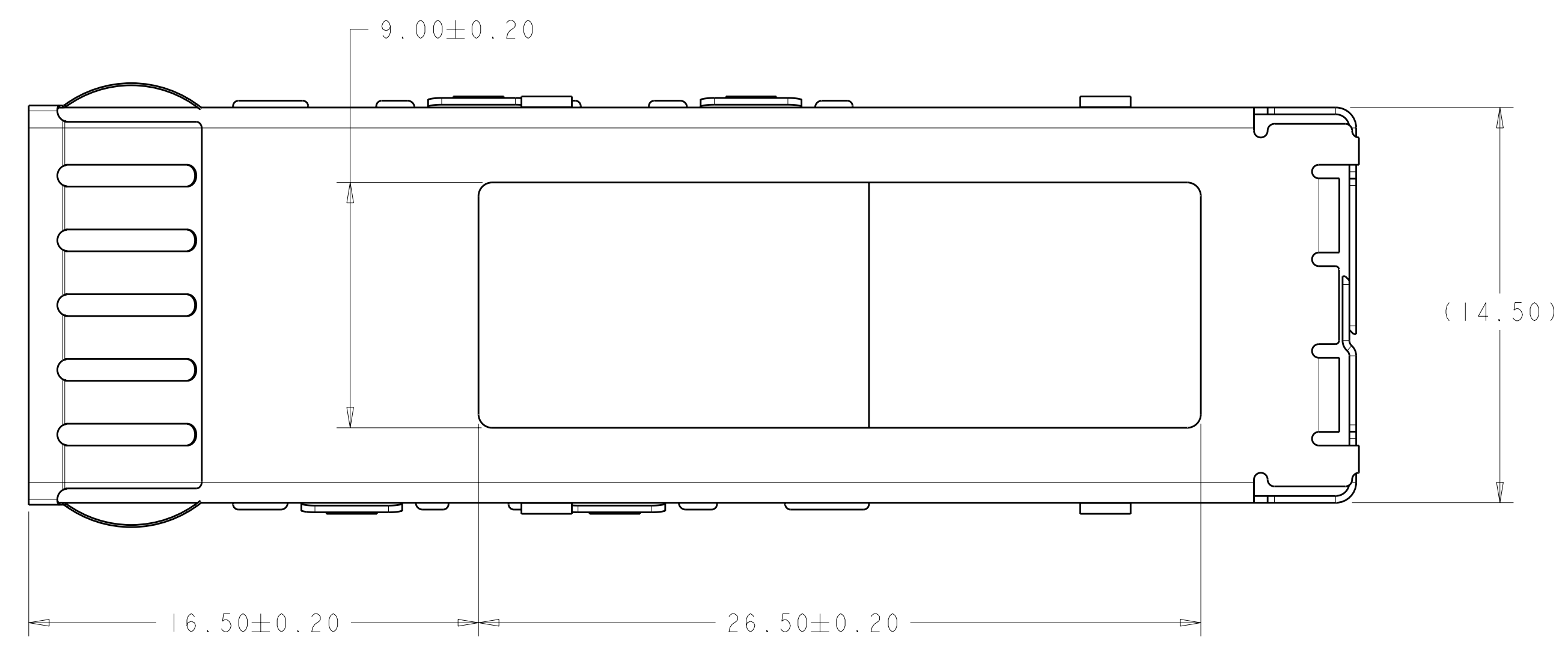


LOC	DIST	REVISIONS			
GP	00	REV	DATE	BY	CHK
		B	200CT2009	CR	MS
		C	16JAN2012	TX	AC



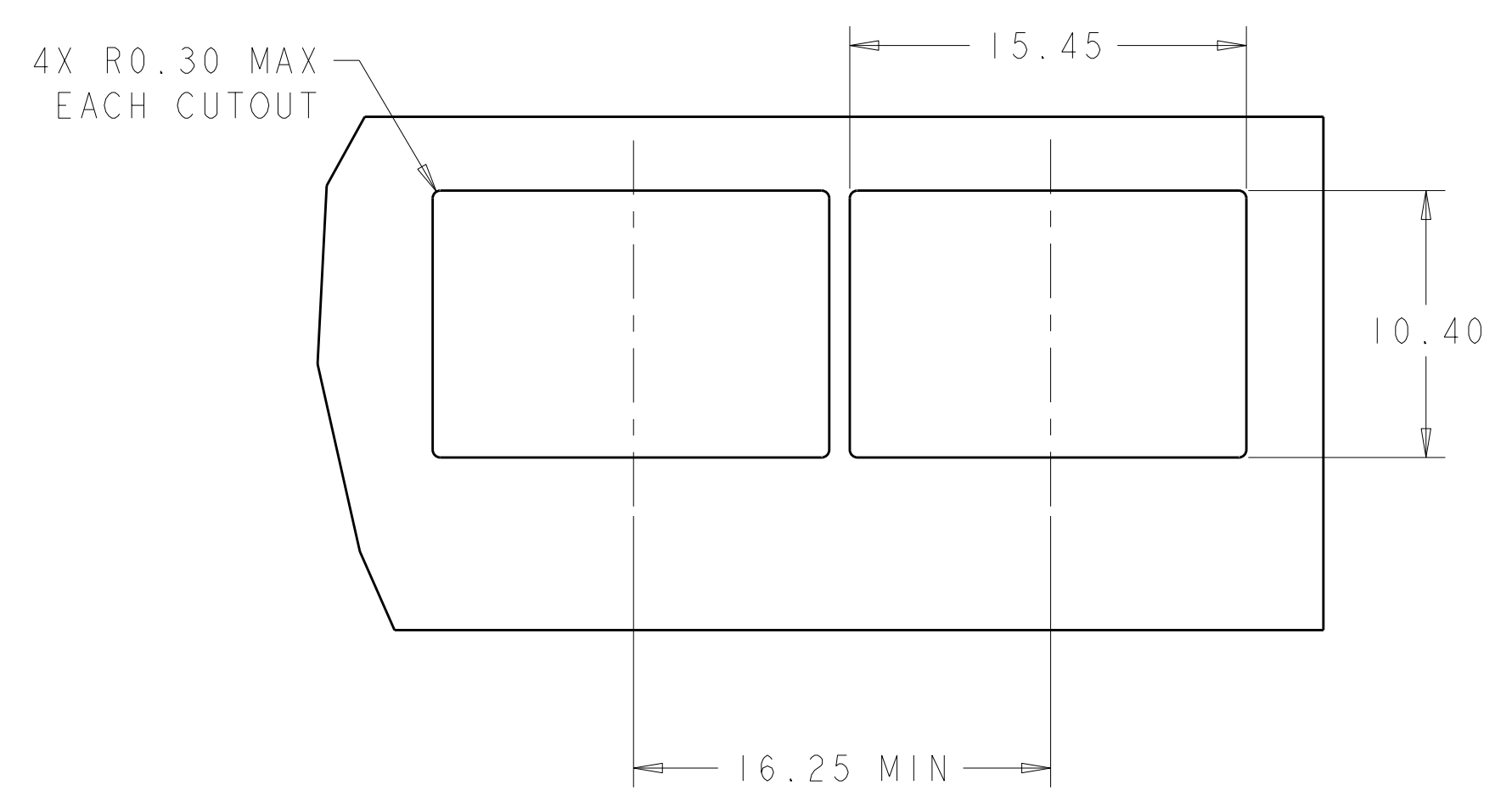
- 1 MATERIAL:
CAGE ASSEMBLY - NICKEL-SILVER ALLOY.
EMI SPRINGS - COPPER ALLOY.
- 2 FINISH:
EMI SPRINGS - 0.8um MIN MATTE TIN OVER 0.8um MIN NICKEL
NON PLATED EDGES PERMISSIBLE.
- 3. MATES WITH SFP MSA COMPLIANT TRANSCEIVERS.
- 4 PADS AND VIAS CHASSIS GROUND.
- 5 DATUMS AND BASIC DIMENSIONS ESTABLISHED BY CUSTOMER.
- 6. MINIMUM PC BOARD THICKNESS:
SINGLE SIDED = 1.50mm
- 7. REMOVED



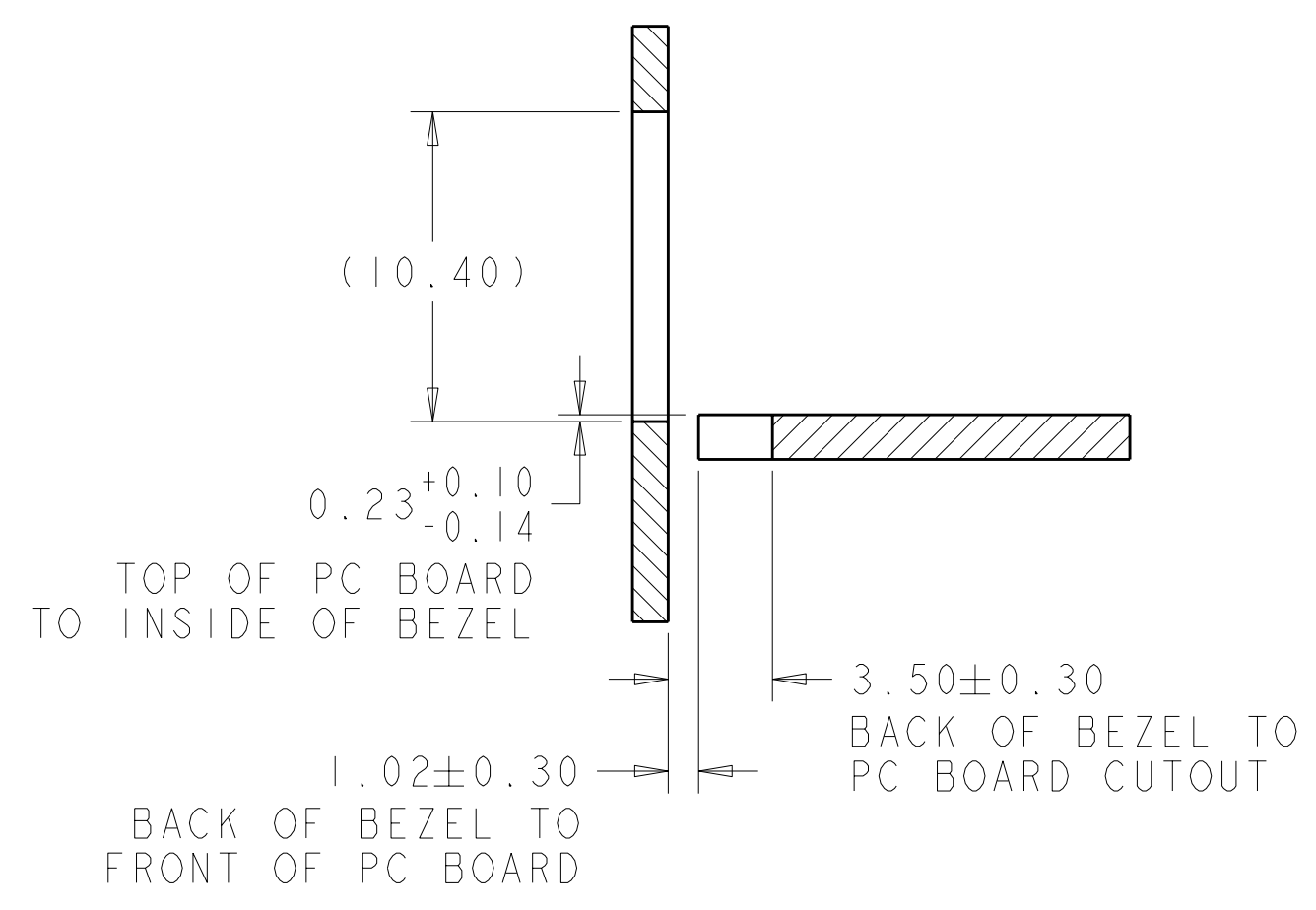
2057021-1
PART NUMBER

THIS DRAWING IS A CONTROLLED DOCUMENT.		DWN M. SCHMITT 2/FEB/2008	TE Connectivity NAME SFP+ 1X1 CAGE ASSEMBLY W/ HEATSINK OPENING, SHORT SOLDER TAILS, EXTERNAL EMI SPRINGS SIZE CAGE CODE DRAWING NO RESTRICTED TO A100779C=2057021
DIMENSIONS:		CHK M. SCHMITT 2/FEB/2008	
TOLERANCES UNLESS OTHERWISE SPECIFIED:		APVD M. WALMSLEY 2/FEB/2008	
mm 9 PLC ±0.1 3 PLC ±0.1 5 PLC ±0.1 4 PLC ±0.05 ANGLES ±0.05		PRODUCT SPEC 108-2364 APPLICATION SPEC 114-13120 WEIGHT CUSTOMER DRAWING	
MATERIAL		FINISH	SCALE 6:1 SHEET 1 OF 2 REV C

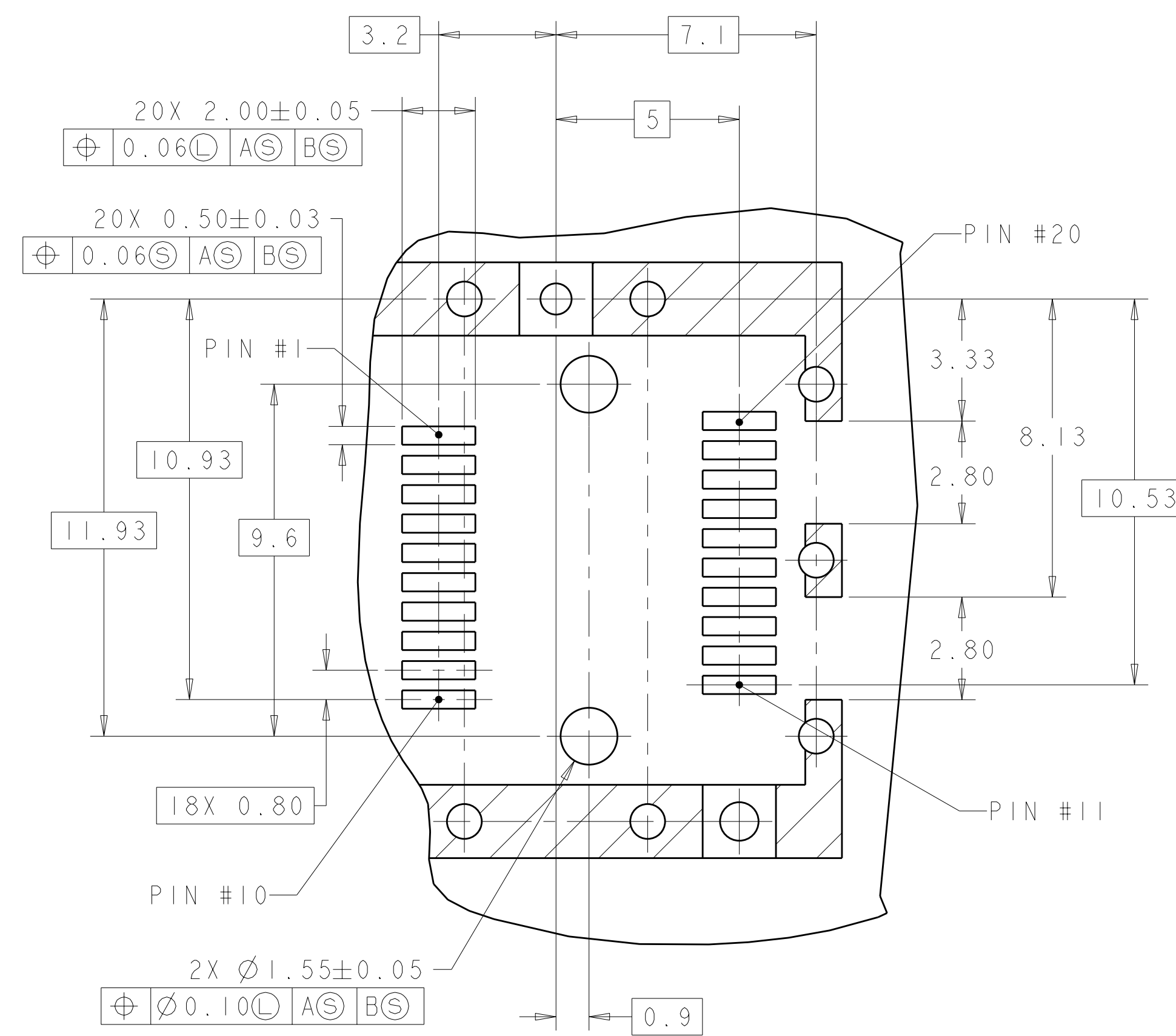
LOC	DIST	REV	DATE	BY	APPD
GP	00				



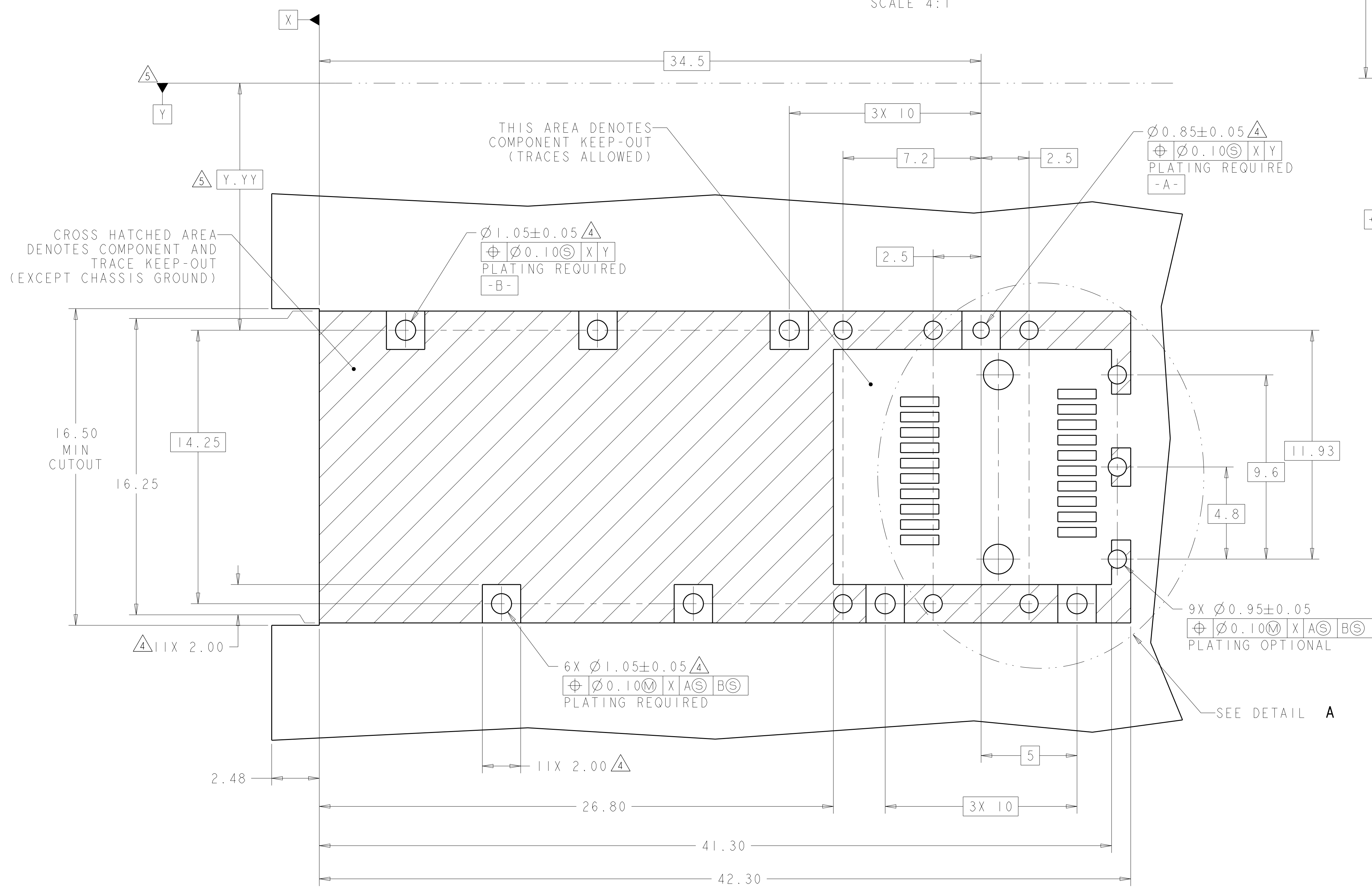
RECOMMENDED BEZEL CUTOUT
SCALE 4:1



RECOMMENDED BEZEL AND
PC BOARD ORIENTATION
SCALE 4:1



DETAIL A
SCALE 8:1



RECOMMENDED PCB LAYOUT
SCALE 8:1

THIS DRAWING IS A CONTROLLED DOCUMENT.		DWN M. SCHMITT 2/FEB/2008	TE Connectivity
DIMENSIONS: mm		CHK M. SCHMITT 2/FEB/2008	
TOLERANCES UNLESS OTHERWISE SPECIFIED:		APVD M. WALMSLEY 2/FEB/2008	
9 PLC ±0.1 3 PLC ±0.1 5 PLC ±0.1 4 PLC ±0.05 ANGLES ±0.05		NAME: SFP+ 1X1 CAGE ASSEMBLY W/ HEATSINK OPENING, SHORT SOLDER TAILS, EXTERNAL EMI SPRINGS PRODUCT SPEC: 108-2364 APPLICATION SPEC: 114-13120 WEIGHT: - CUSTOMER DRAWING: A100779C=2057021	
MATERIAL: -	FINISH: -	SCALE: 6:1	SHEET: 2 OF 2