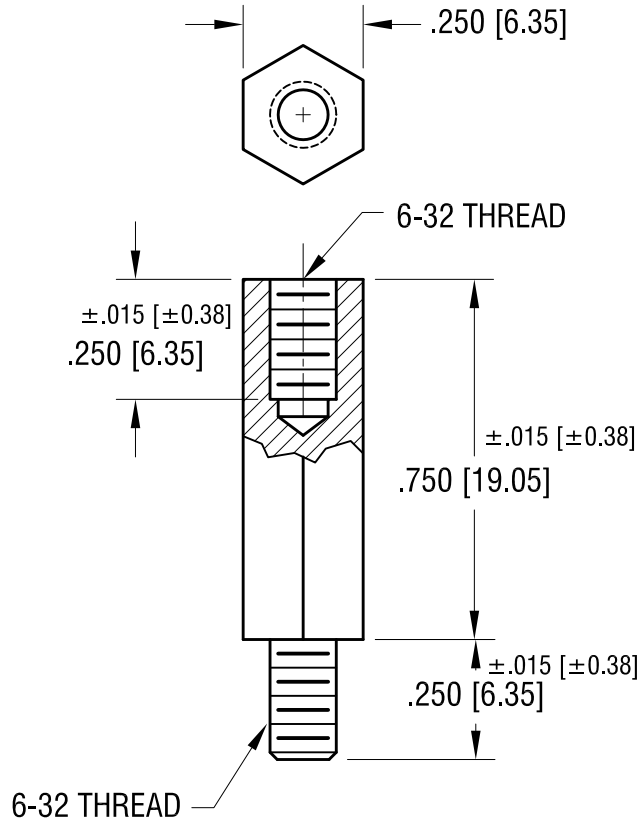
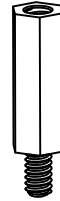


THIS DOCUMENT IS THE PROPERTY OF  
KEYSTONE ELECTRONICS CORP. AND  
SHALL NOT BE REPRODUCED, DISTRIBUTED  
OR USED AS A BASIS FOR MANUFACTURE  
WITHOUT PRIOR WRITTEN PERMISSION  
FROM KEYSTONE ELECTRONICS CORP.

**ACTUAL SIZE**



**NOTE:**

1. MAT'L- HIGH TEMPERATURE ,  
HIGH PERFORMANCE NYLON BLEND (COLOR- BLACK)
2. TEMPERATURE RANGE:  $-20^{\circ}\text{F} [-28^{\circ}\text{C}]$  to  $+400^{\circ}\text{F} [+200^{\circ}\text{C}]$

**KEYSTONE ELECTRONICS CORP.**

www.keyelco.com • NEW HYDE PARK, NY 11040 • Tel (516) 328-7500

PART NAME

HIGH TEMPERATURE NYLON STANDOFF

MATERIAL

AS NOTED

FINISH

NONE

DRN BY

NT

DATE

11.30.17

APP'D

LN

SCALE

2.5X

TOLERANCES

INCH [MM]

DECIMAL  $\pm .005 [\pm 0.13]$

ANGULAR  $\pm 1^{\circ}$

UNLESS OTHERWISE SPECIFIED

CODE

C

DWG NO.

4974

DATE	DESCRIPTION	REV.