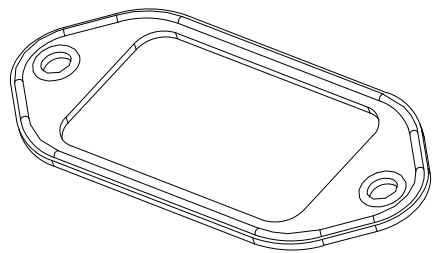
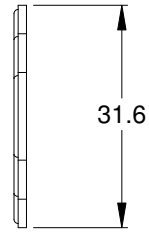
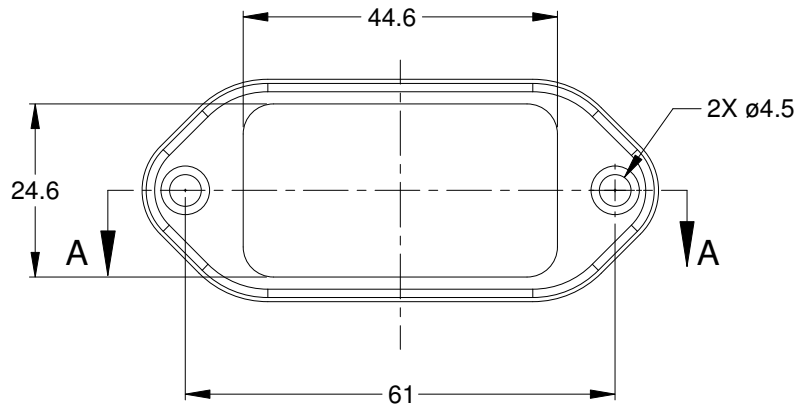
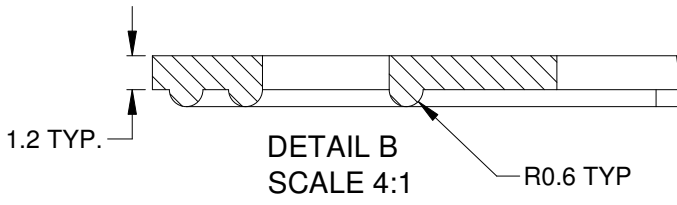
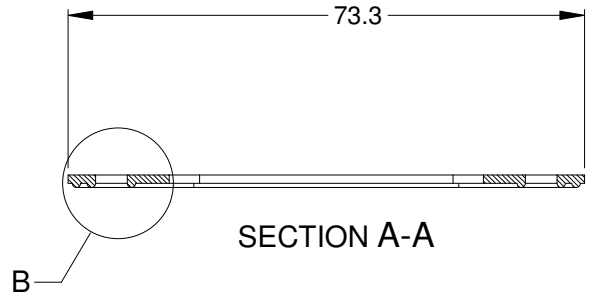


REVISIONS					
REV	ECO	DESCRIPTION	DATE	BY	APPR
A2		RELEASE NEW DWG FORMAT	09/02/15	JAH	



- NOTES: UNLESS OTHERWISE SPECIFIED
1. MATERIAL: SILICONE RUBBER; COLOR: RED
 2. RoHS COMPLIANT
 3. ALL DIMENSIONS ARE FOR REFERENCE USE ONLY.

AT1612-PB-G7		DESCRIPTION		ITEM
PART NUMBER		DESCRIPTION		ITEM
QUANTITY	MATERIALS LIST			
<small>UNLESS OTHERWISE SPECIFIED</small> 1) All dimensions are in metric(mm). 2) Tolerances are as follows: 1 PL DEC ±0.30 2 PL DEC ±0.15 3 PL DEC ±0.08 3) Note reference =	SIGNATURES		DATE	
	DRAWN: J. HEAD		09/02/13	
	CHECKED:			
	ENGINEER:			
APPROVAL:				
MATERIAL SPECIFICATIONS:		CUSTOMER:		
PROCESS SPECIFICATIONS:		THIS DRAWING IS SUPPLIED FOR INFORMATION ONLY. DESIGN FEATURES, SPECIFICATIONS AND PERFORMANCE DATA SHOWN HEREON ARE THE PROPERTY OF THE AMPHENOL CORPORATION. NO RIGHTS OF REPRODUCTION ARE IMPLIED. ALL DIMENSIONS ARE SUBJECT TO NORMAL MANUFACTURING VARIATIONS.		
NEXT ASSY:				
		SIZE	TYPE	DWG NO:
		A C-		AT1612-PB-G7
		SCALE: NONE		REVISION A2
		SHEET 1 OF 1		

Amphenol

Sine Systems - www.amphenol-sine.com
 44724 Morley Drive
 Clinton Township, MI 48036

RECEPTACLE GASKET,
 13 POSITION, AT SERIES